

# VLBI backends at SRT, Medicina and Noto

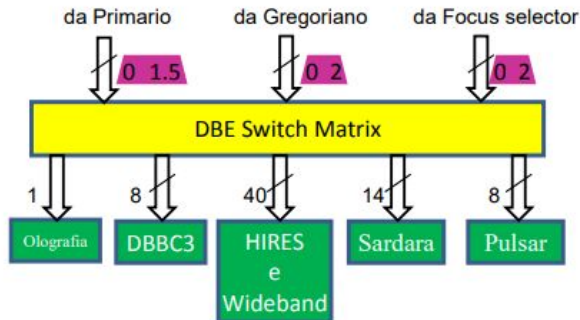


INAF has acquired DBBC3 backends for SRT, Medicina and Noto. The chosen acquisition is:

- DBBC3 6L6H
- Bandwidth 4096/2048/1024 MHz
- 6 port SFP+ (10 Gbps)

Recorder is a FLEXBUF with following configuration:

- 32 x 16 TB HDD 512TB.
- 4 SFP+ (10Gbps).
- 2 RJ45 (10Gbps)



The IF link to the backend is through a digital backend (DBE) switch matrix.

On the left the DBE for SRT which is under construction. Mc and NT will have similar layout (under design).